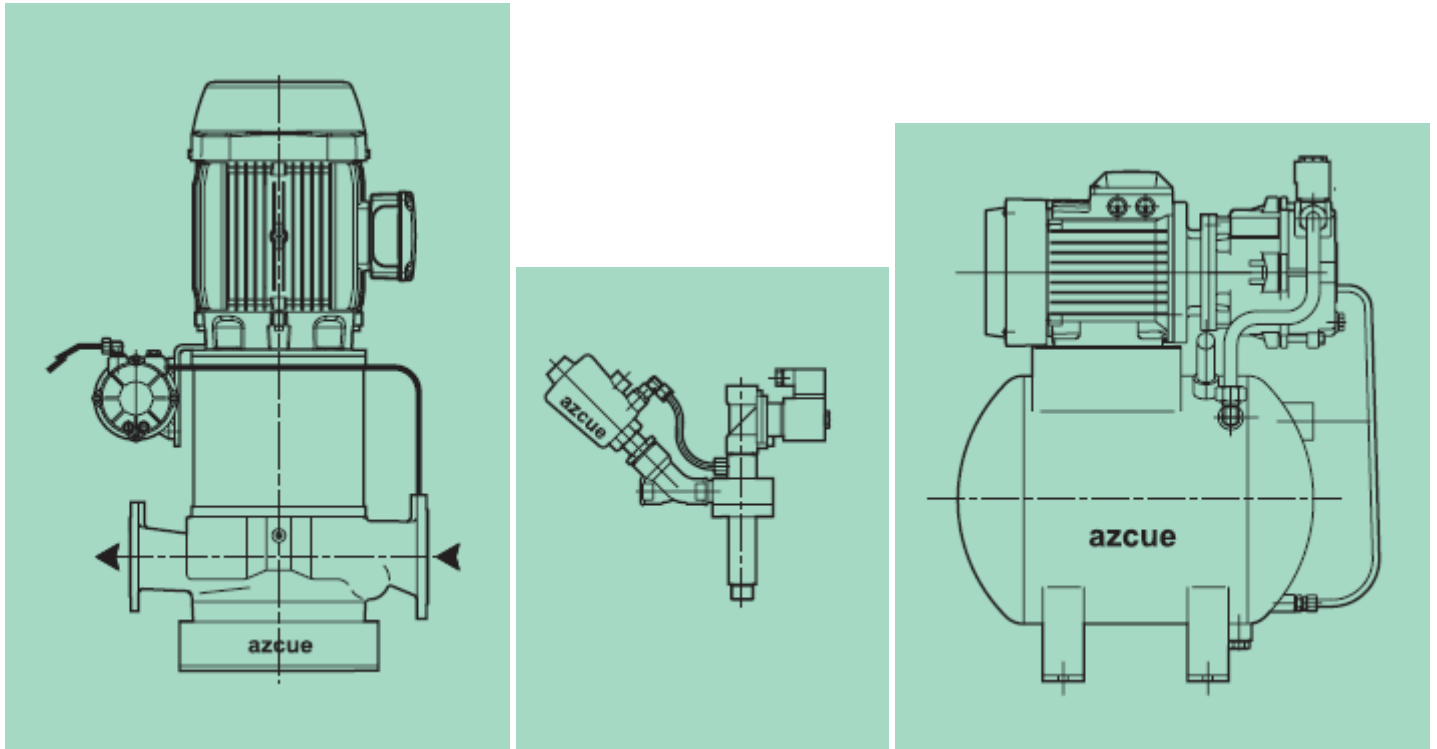


THE NEED FOR SELF-PRIMING SYSTEMS



A self-priming unit extracts air from a turbine suction of a not self-priming pump. Provides an opportunity for a centrifugal pump, with its advantages of simplicity, reliability, long life and good hydraulic performance, becoming a self-priming pump.

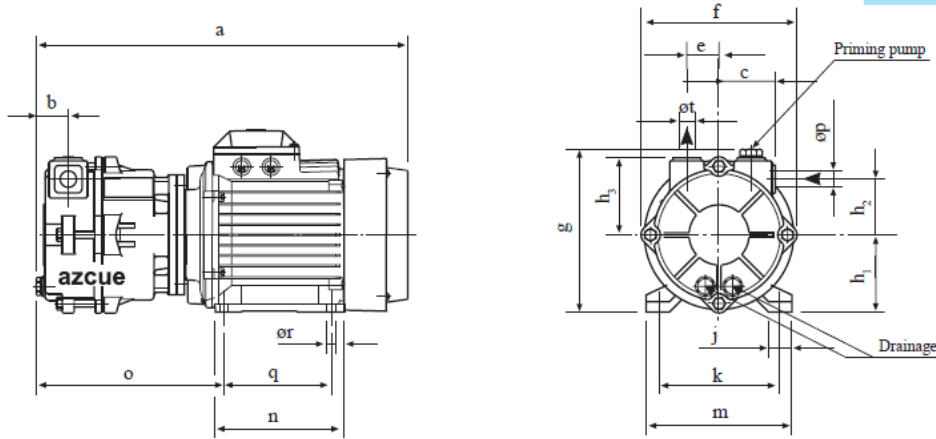
SANDE Y DIAZ has AZCUE priming equipment which are automatic operation, with independent self-priming liquid ring pumps, air ejectors or portable systems for use in main pumps of any brand.

VAC-4 & VAC-6 SYSTEMS. They are liquid ring pumps, high suction power - up to 8 vertical meters - made of bronze, with stainless steel shaft, fitted with filter and check valve.

Tipo Type	Motor	Kw	rpm	a mm	g mm	Øt mm	Kg
VAC-4	90L-2	2,2	2.900	435	190	G ½"	25
VAC-6	112M-4	5,5	1.450	528	272	G 1"	80

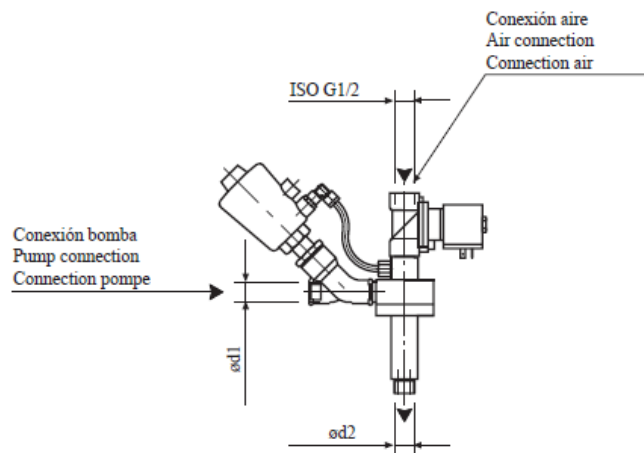
VAC-4 & VAC-6

N. 339-VAC46



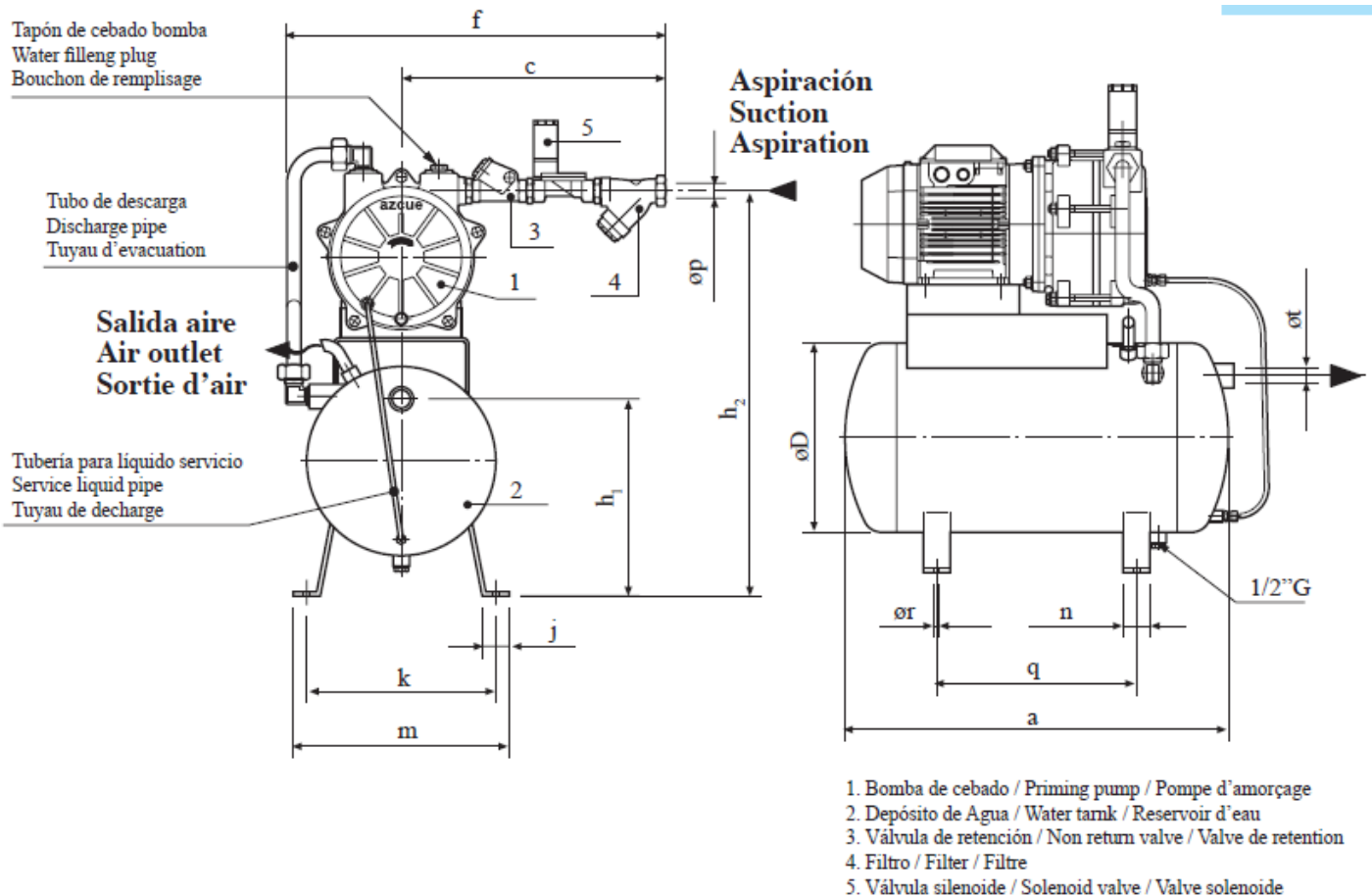
VP EJECTORS. The VP ejectors require only compressed air to operate. The supply air flow is accelerated to circulate inside the ejector creating a vacuum, and thus a removal of air from the suction pipe which connects.

Tipo Type	Capacidad aspiración Aspirated air capacity	Consumo aire Air consumption	presión pressure	Ød1 mm	Ød2 mm
VP-1	300 l/min	490 l/min	7 bar	G ½"	G ½"
VP-2	300 l/min	490 l/min	7 bar	G ¾"	G 1 ¼"



PRIME EQUIPMENT WITH WATER BOILER. It is also systems with pumps having a 25 liter boiler steel for water recirculation functions. These autonomous systems allow continuous operation.

Tipo Type	D Mm	a mm	h2 mm	f mm	Ør mm	Øp mm	Kg
VAC-4/25	300	430	560	655	G 1"	G 1"	60
VAC-6/50	350	710	750	750	G 1 1/2"	G 1"	740



Aplicaciones típicas de estos sistemas son aquéllas donde se desee un funcionamiento con total garantía de las bombas centrífugas principales, bien por servicios de responsabilidad o después de largos periodos de inactividad, como son:

- Servicios contra-incendios.
- Captación de agua en acuicultura, instalaciones frigoríficas, fábricas de hielo, etc.
- Abastecimiento de aguas en general.

NEWSLETTER 11-2014

- Achique de sentinas.

SISTEMAS DE AUTOCEBADO

Para ampliación de información consulte a SANDE Y DÍAZ; estaremos encantados de resolver sus dudas.

Typical applications of these systems are those in which operation you want with complete assurance of the main centrifugal pumps or by services responsible or after long periods of inactivity, such as:

- Fire-fighting services.
- All kind of marine applications.
- Water abstraction in aquaculture, refrigeration plants, ice plants, etc.
- Water supply.
- Ballast and bilge.

For additional information consult SANDE Y DIAZ; we will be happy to assist you.